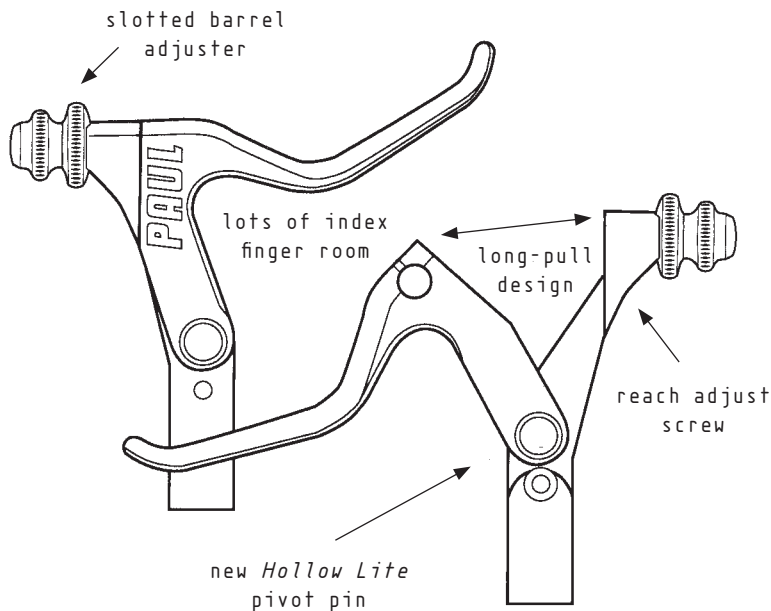


# Love Lever

## NEW FORMULA LONG PULL LEVER

compatible with PAUL Motolite  
and other side-pull (V) brakes

○ compact ○ 2 1/2  
○ left ○ right



2 sizes available:

- compact (shown above) - for BMX, single-speed, and trigger shifters
- deuce and a half - for twist shifters and/or larger hands.

made in USA

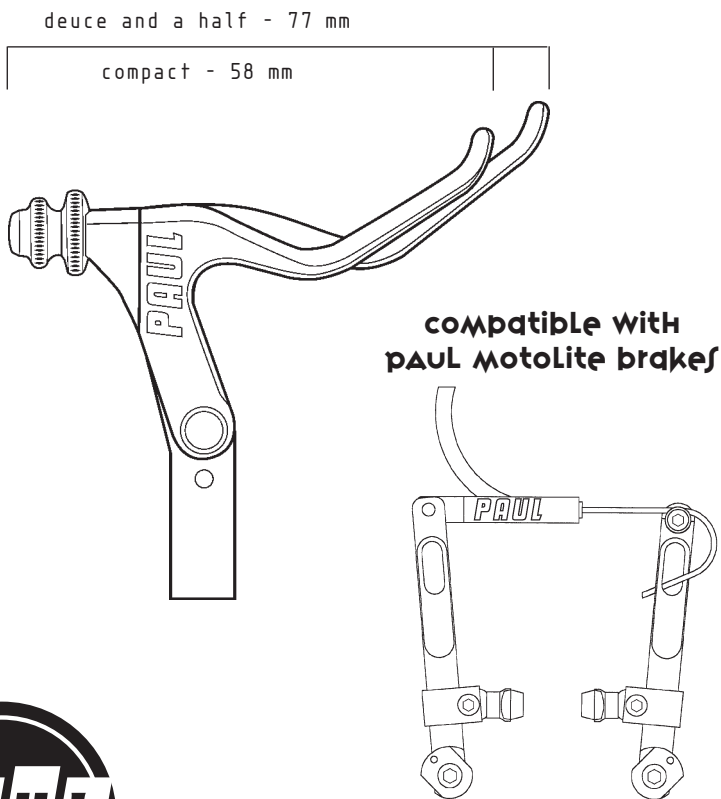


Nice parts since 1989

# INSTALLING *Love Levers:*

## PLEASE READ CAREFULLY

1. To adjust play at pivot, tighten with 4mm & 5mm hex wrenches. Do not over-tighten. Lever must move smoothly. Periodically lube with a few drops of chain lube. **DO NOT OVER-TIGHTEN HANDLEBAR CLAMP SCREWS.** The lever should move on the handlebar when tugged on, this will prevent the lever from breaking in a crash. Warranty does not cover damage to levers that are over-tightened.



PAUL Component Engineering  
[www.paulcomp.com](http://www.paulcomp.com)