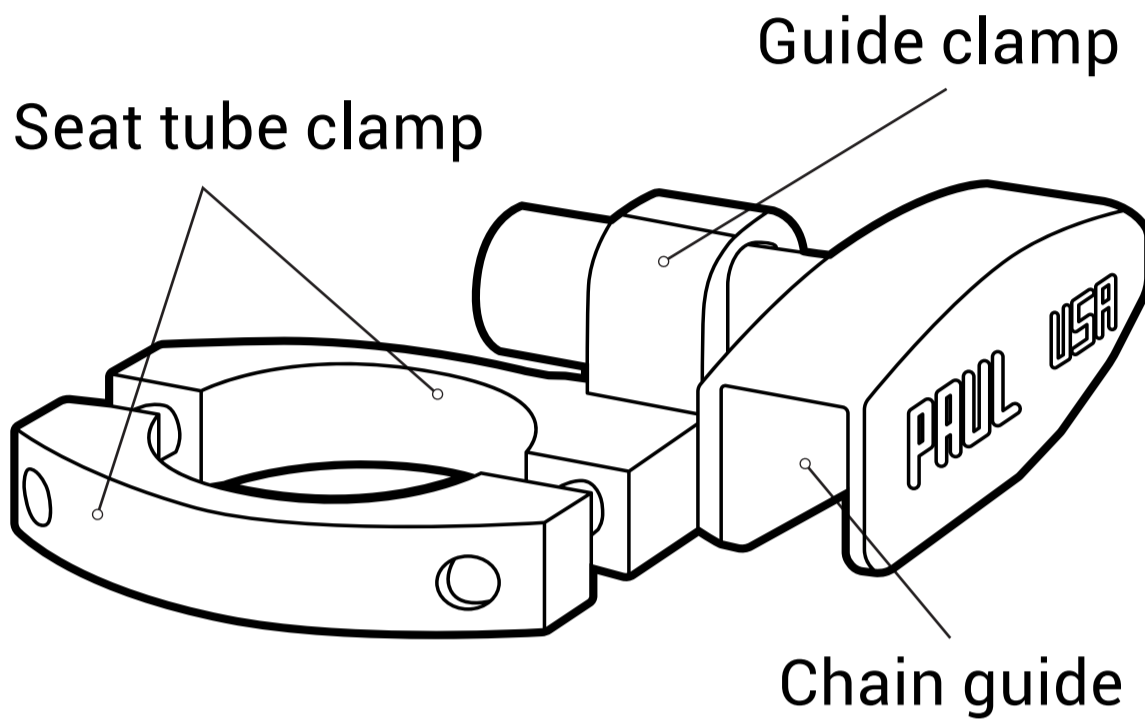




CHAIN KEEPER



It keeps your chain on!

- 1. Remove chain guide from clamp**
- 2. Install seat tube clamp loosely to bicycle seat tube with guide clamp to front.**
- 3. Insert chain guide and slide the chain keeper over the chain and center the guide.**
- 4. The chain guide should be low as possible without chain contact when in the largest cog.**
- 5. Shift from large to small cog and rotate the chain keeper as needed to eliminate chain contact.**
- 6. Tighten chain keeper screws.**