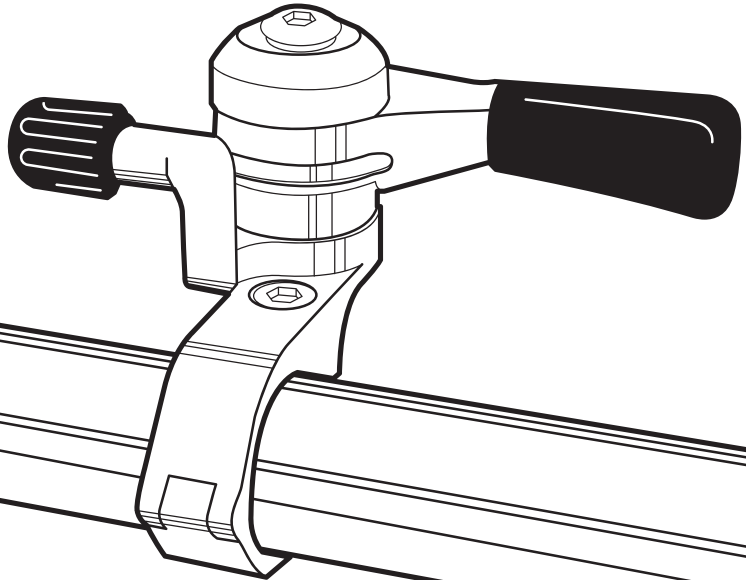


THUMBIES

- CONVERTS BAR END AND DOWN TUBE SHIFTERS TO THUMB SHIFTERS
- INCREDIBLY PRECISE & INTUITIVE SHIFTING
- FOR 22.2MM (7/8") HANDLEBARS

paulcomp.com



RIGHT

LEFT

MICROSHIFT

SHIMANO

MADE
IN THE
USA

NICE PARTS SINCE 1989

ATTENTION : READ CAREFULLY

ASSEMBLY INSTRUCTIONS FOR BOTH SHIMANO AND MICROSHIFT:

1. Mount Thumbie on the bar in the approximate position you want them .
 2. Remove the bar end shifter from its bar end bracket. Save the screw.
 3. Mount shifter on Thumbie and install using the screw that came with the shifters.
 4. Rotate the shifter through all its range to make sure it's aligned correctly.
 5. Install cables and housing and make sure shifters are in position. Tighten all screws and go for a test ride.
-

♻️ PLEASE RECYCLE



paulcomp.com



Email: info@paulcomp.com
Phone: 530-345-4371
11204 Midway
Chico, California 95928