

BOXCAR

Thank you for purchasing the PAUL Boxcar Stem.
We here at the plant want to provide you with years of trouble free riding. Please read the following instructions thoroughly before installing your new stem.

INSTALLATION INSTRUCTIONS

Step 1: (Preparation of new fork)

Cut the steerer tube at least 2mm above the top of the stem. This ensures the steerer tube is fully captured by the clamp. Use a spacer on the top of the stem. For carbon steerer tubes follow all manufacturer's instructions for cutting.

Step 2:

Remove all burrs from the cut steerer tube with a fine file or sandpaper.

Step 1: (Stem installation)

Remove all 6 screws and grease them.
(They are all the same size)

Step 2:

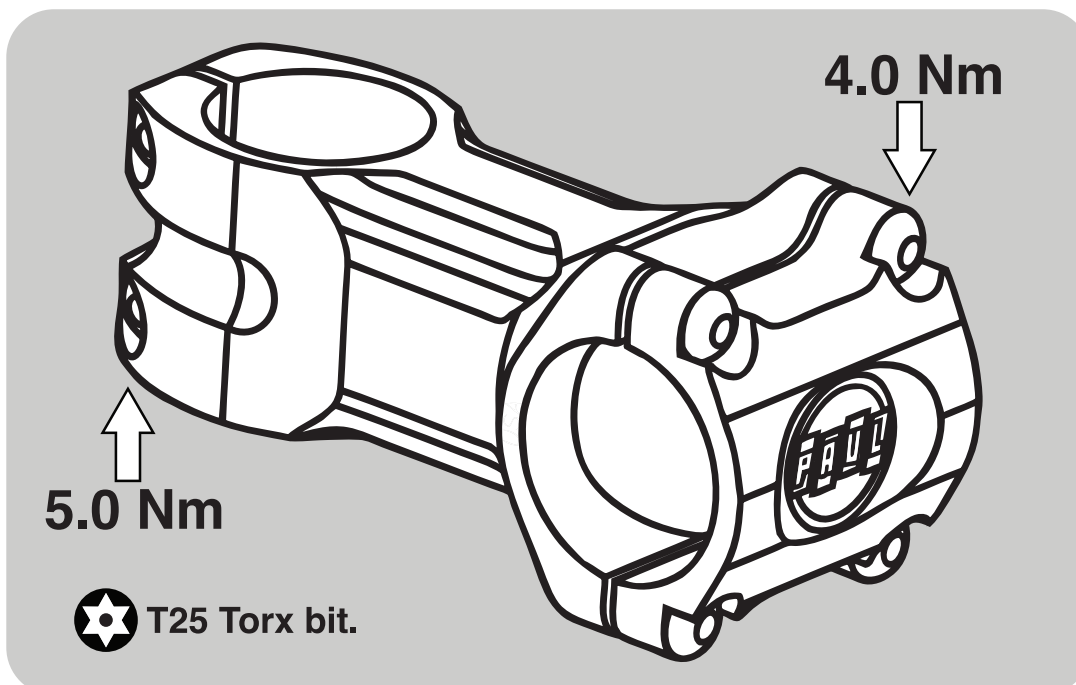
Install stem on steerer tube and install the handlebar. Tighten all stem screws finger tight. Install spacer, stem cap, and stem cap screw.
(Adjust headset as per the manufacturer's instructions)

Step 3:

Tighten steerer tube clamp screws to 5.0 Nm and handlebar clamp screws to 4.0 Nm. **Use a T25 Torx bit.**
(Use a quality torque wrench)

Step 4:

Re-torque all screws after the first couple rides.



paulcomp.com